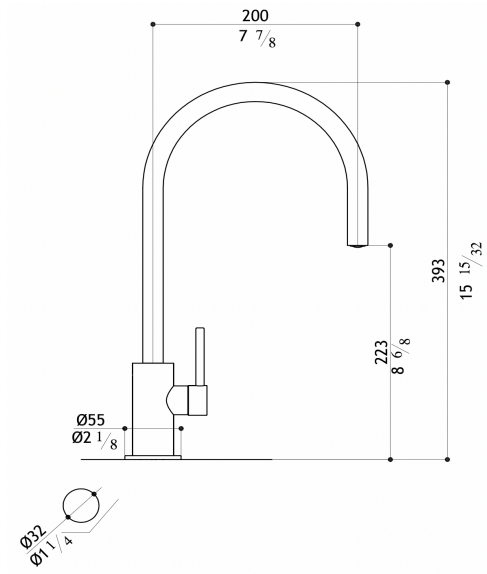


MGS Spin P

High spout single lever mixer



Specifications:

- **Marine Grade Stainless steel AISI316L**
- The spout freely rotates 360°
- 100% lead free – fully recyclable
- Easy to clean Neoperl Aerator with coin slot
- Areas of application: Indoor & outdoor
- Flow rate US: 1.75 GPM at 45 PSI in conformity with CalGreen and WaterSense requirements
- Flow rate EU: 6.4 L/Min at 3 Bar
- PVD finishes over brushed stainless steel

Available Finishes:



Stainless Steel



Black Steel



Titanium



Rose Gold



Gold

Engineered in Switzerland



Made in Italy