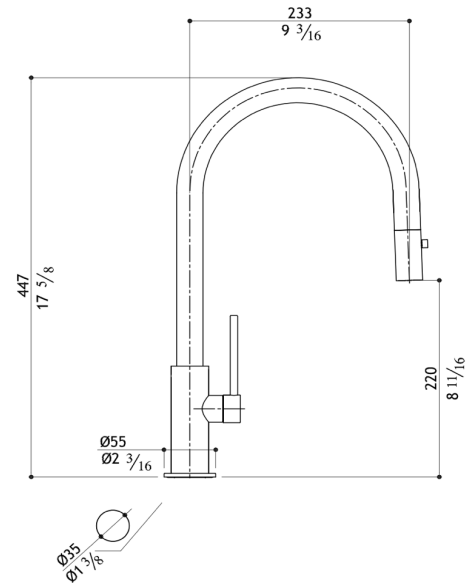


# MGS Spin D

Single Hole Pull Out Kitchen Faucet with Dual Spray SS Toggle Button



## Specifications:

- **Marine Grade Stainless steel AISI316L**
- Right side lever installation only
- 100% lead free – fully recyclable
- MGS docking system ensures the easy alignment and firm positioning of the spray in the spout
- The spray pattern is controlled by the elegant stainless steel Toggle Button
- Cold water flow positioned towards front for child safety
- The lever goes back only 17°, making it ideal for tight installations
- Hose pull out length up to 15"
- Areas of application: Indoor & outdoor
- Flow rate US: 1.75 GPM at 45 PSI in conformity with CalGreen and WaterSense requirements
- Flow rate EU: 8.3 L/Min at 3 Bar
- PVD finishes over brushed stainless steel

## Available Finishes:



Stainless Steel



Black Steel



Titanium



Rose Gold



Gold

Engineered in Switzerland



Made in Italy