
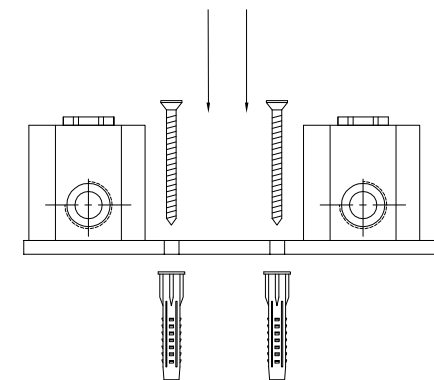
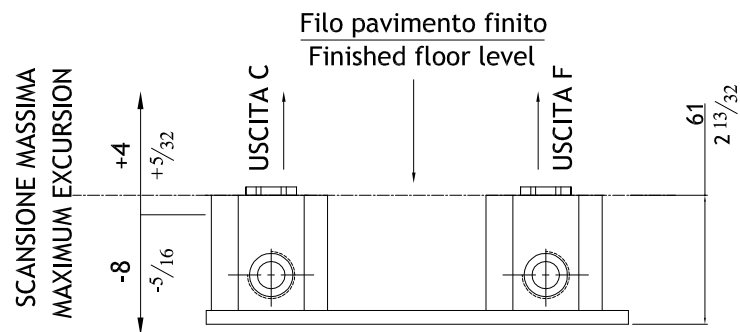



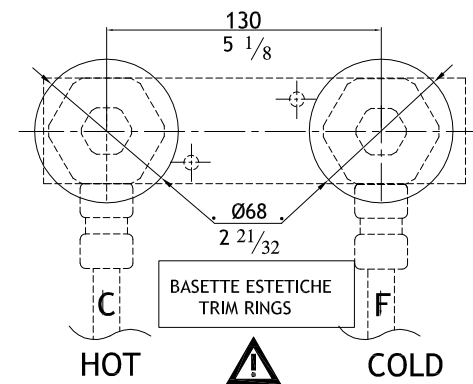
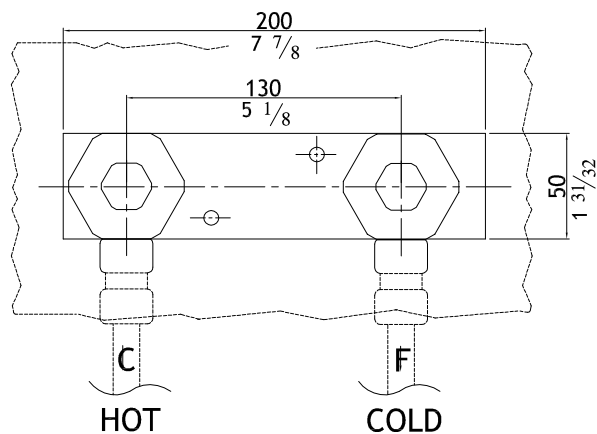
INDICAZIONI PER L' INCASSO A PAVIMENTO
FLOOR INSTALLATION INFO

 Posare a livello
Check level



 INSTALLARE IL BLOCCO INCASSO
FACENDO ATTENZIONE ALLA PLANARITA'
DELLO STESSO, INOLTRE ASSICURARSI CHE IL
BLOCCO RIMANGA A FILO PAVIMENTO FINITO.

 INSTALL FLOOR BLOCK BY CHECKING LEVEL.
ENSURE POSITION RESPECT TO FLOOR LEVEL.



MGS Progetti srl

Corso Milano, 189 - 28883 Gravellona Toce (VB) - Italy

www.mgsprogetti.com - E-mail: info@mgsprogetti.com - Tel.: +39 0323 865218 - Fax: +39 0323 865215

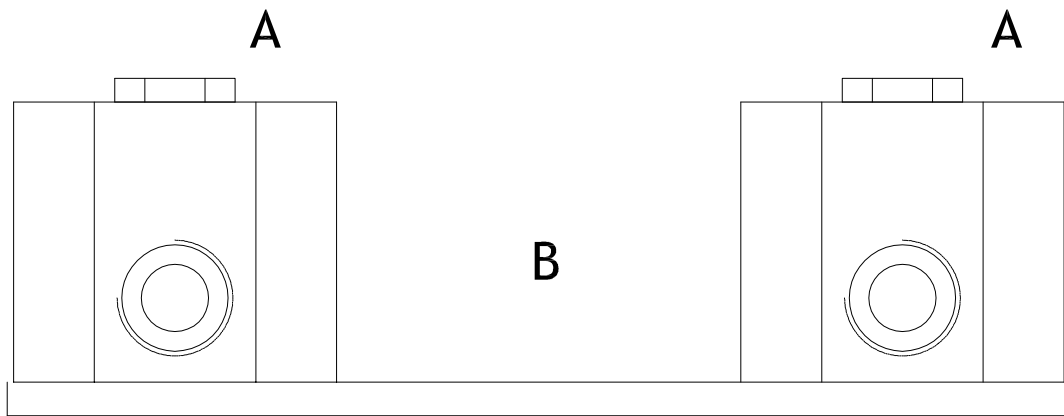


FIG. 1

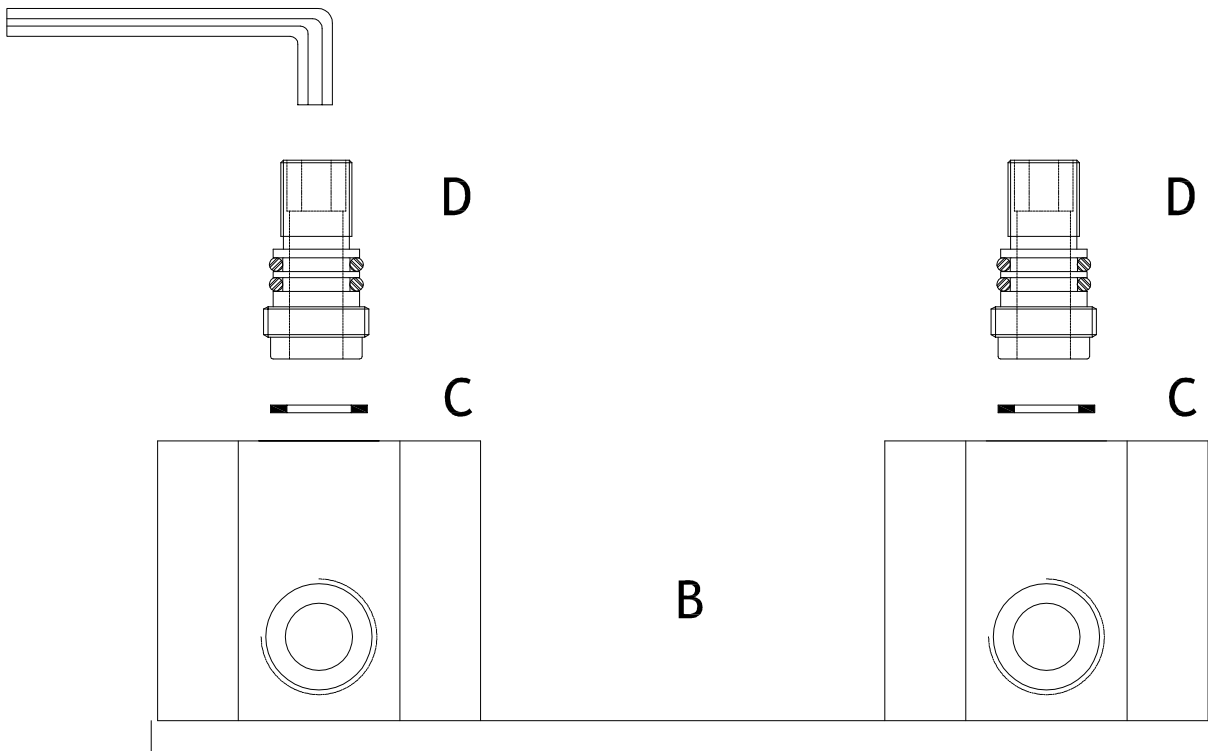


FIG. 2

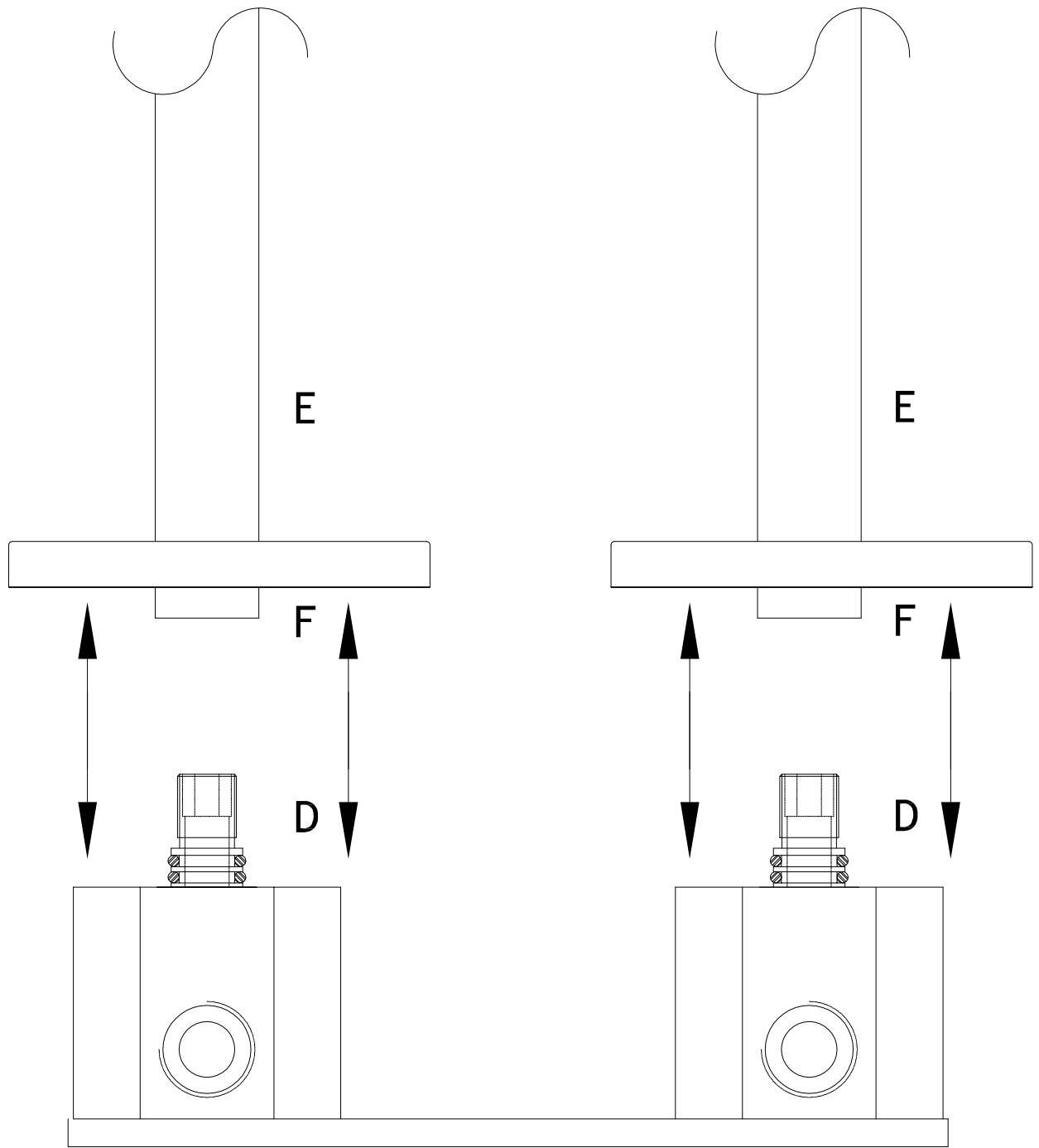


FIG. 3

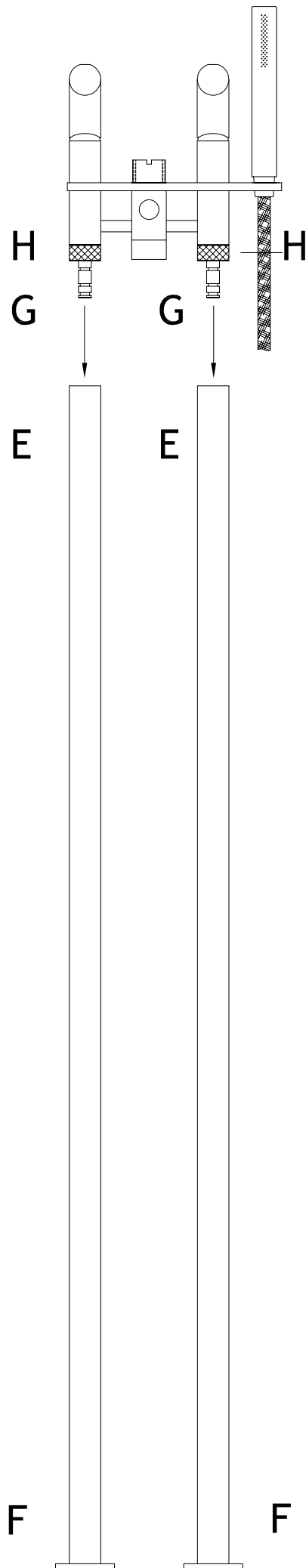


FIG. 4

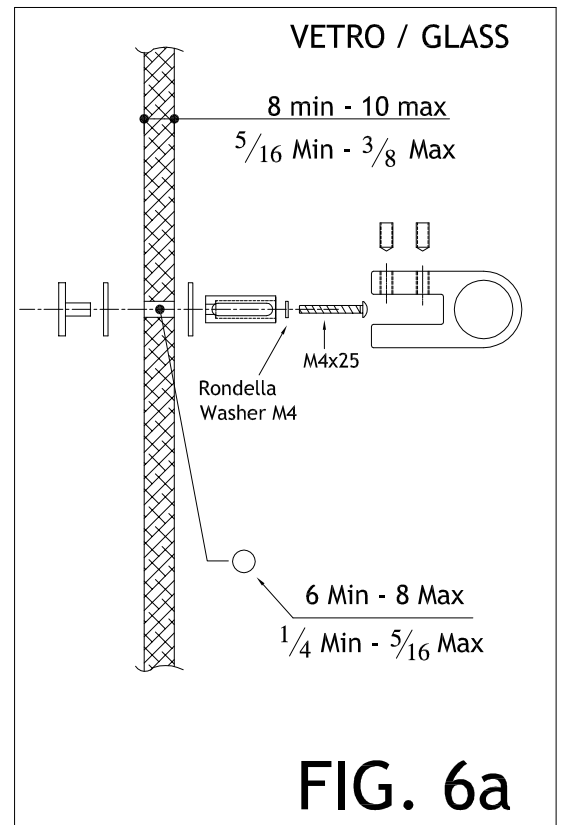
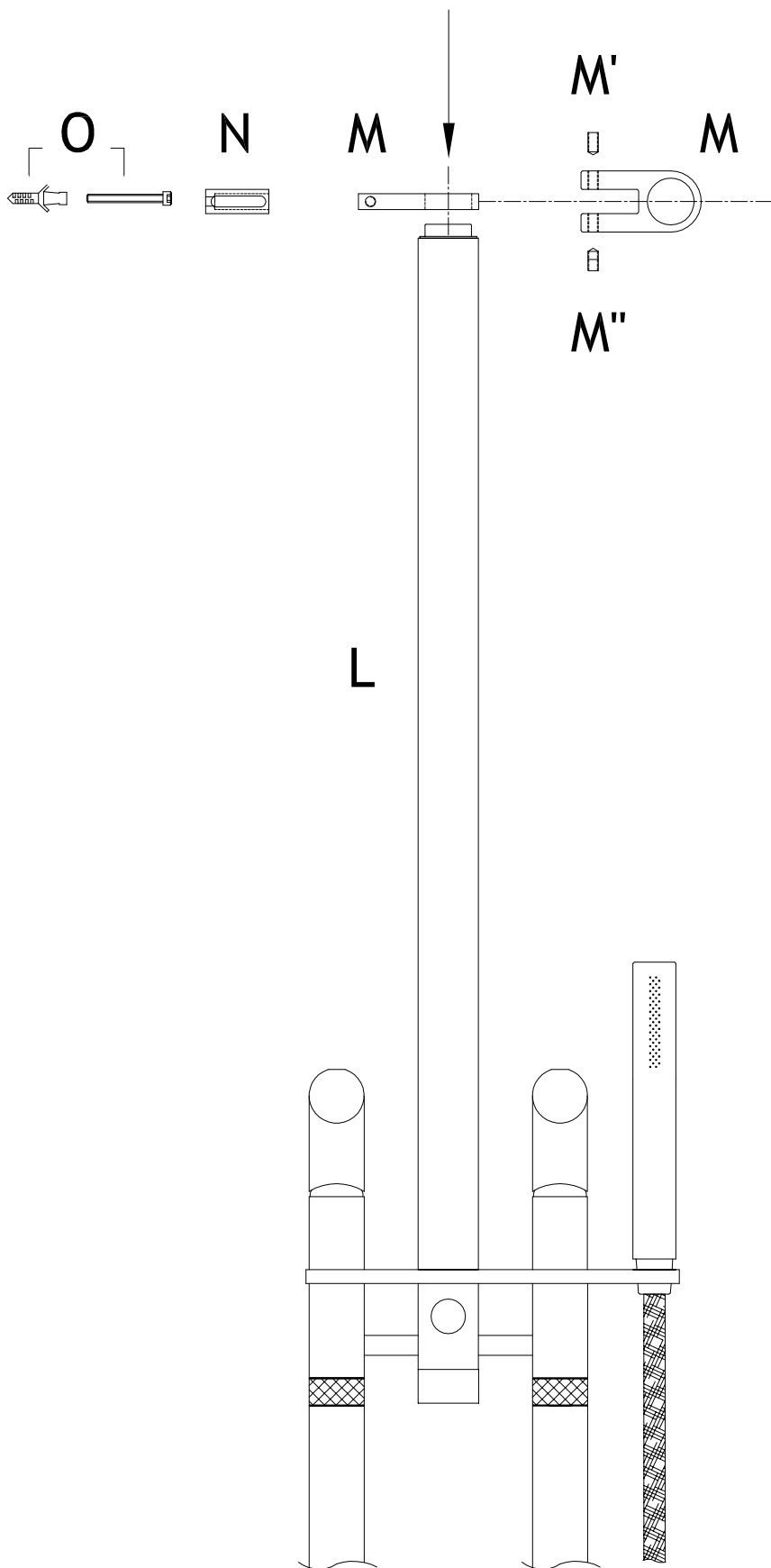


FIG. 6

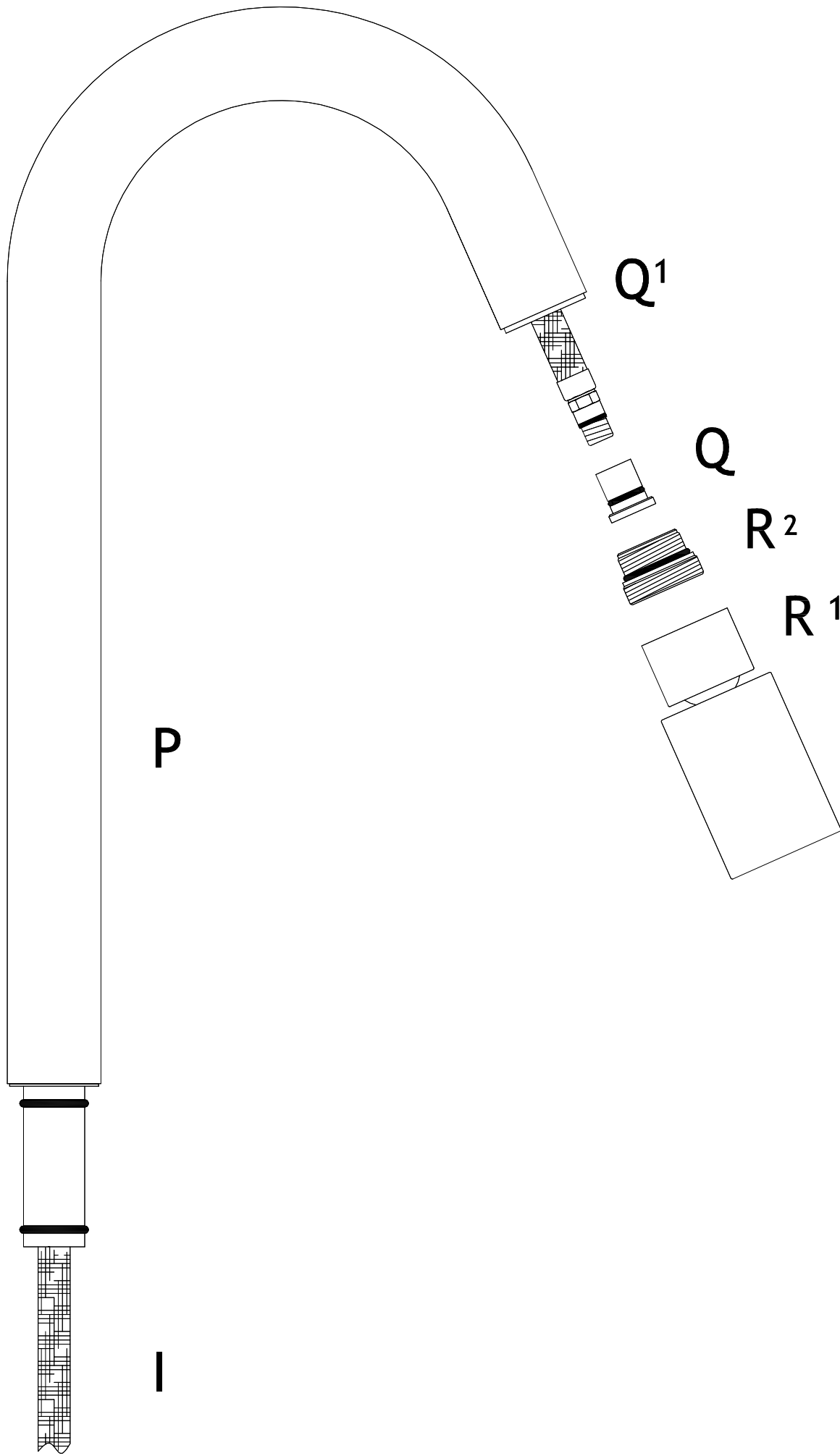


FIG. 7

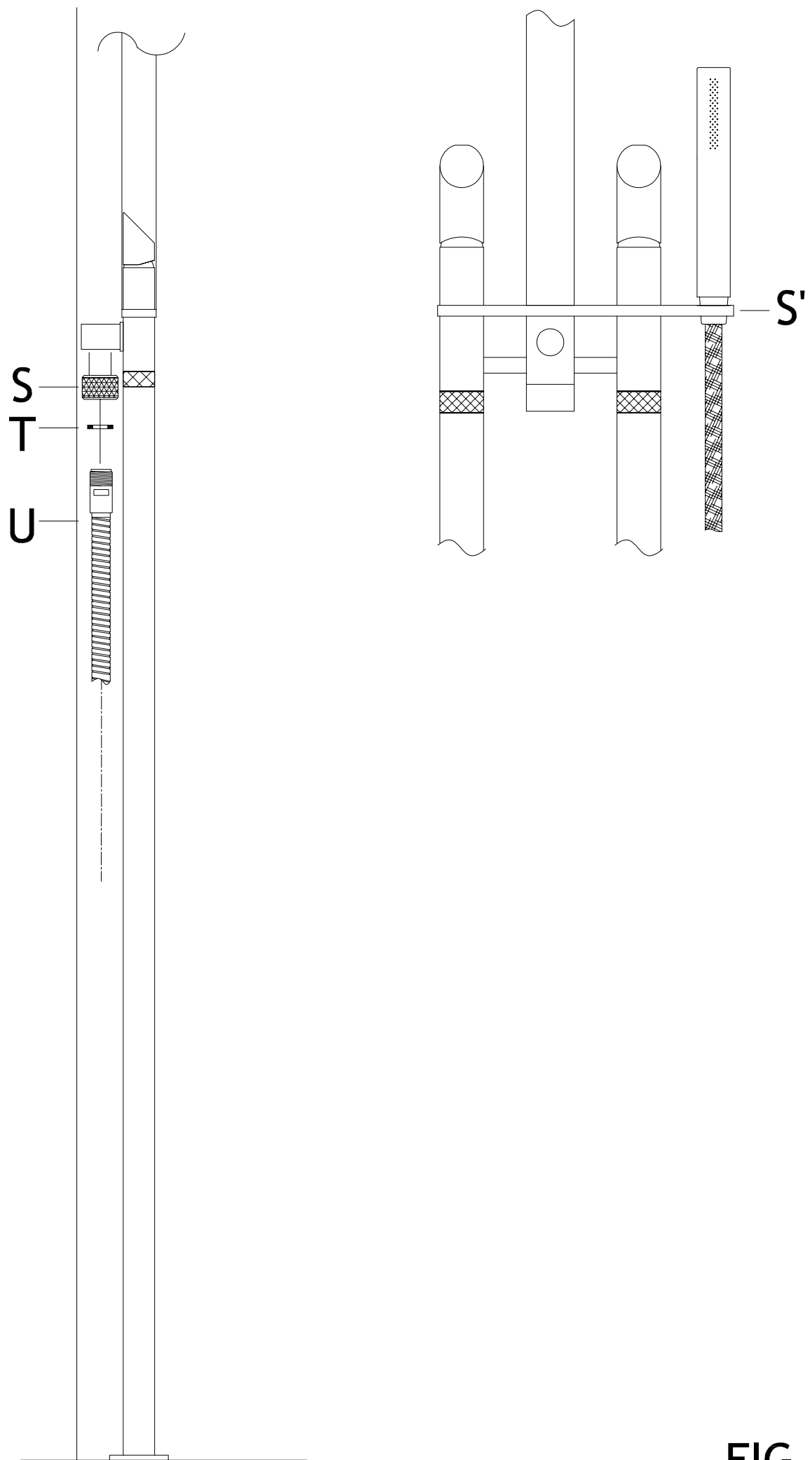
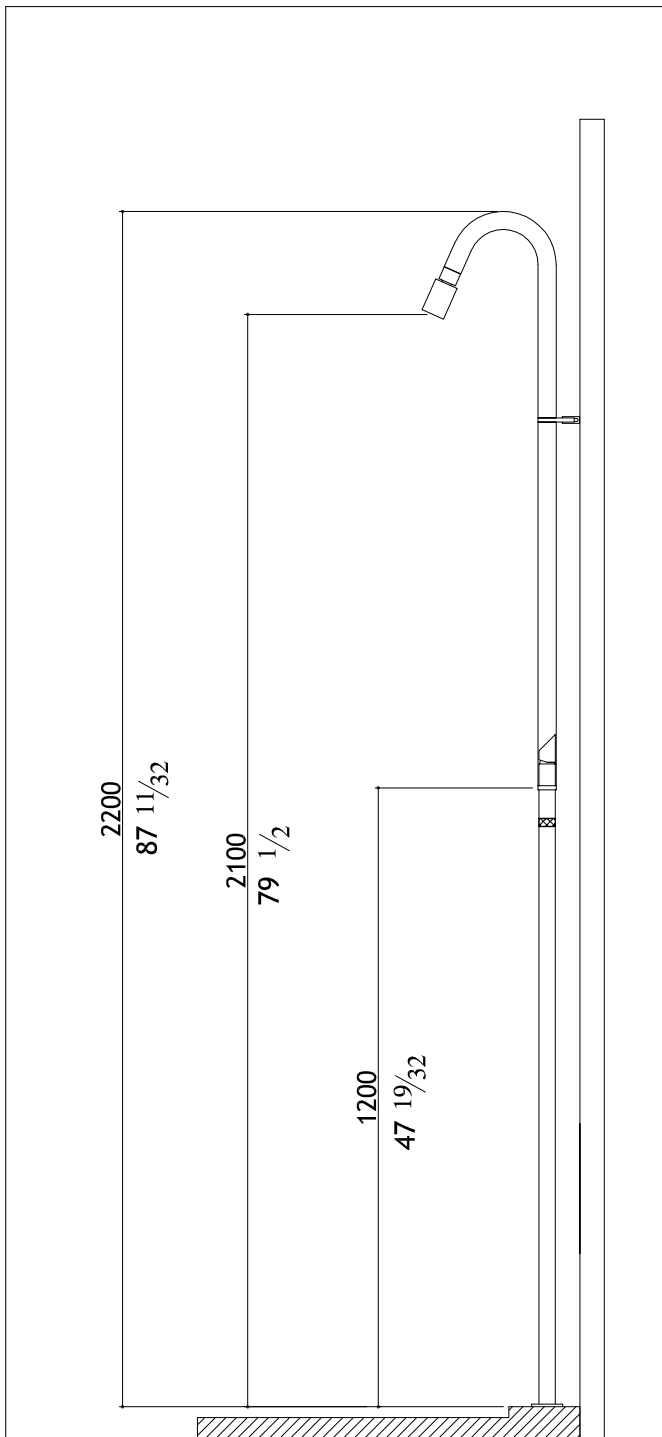
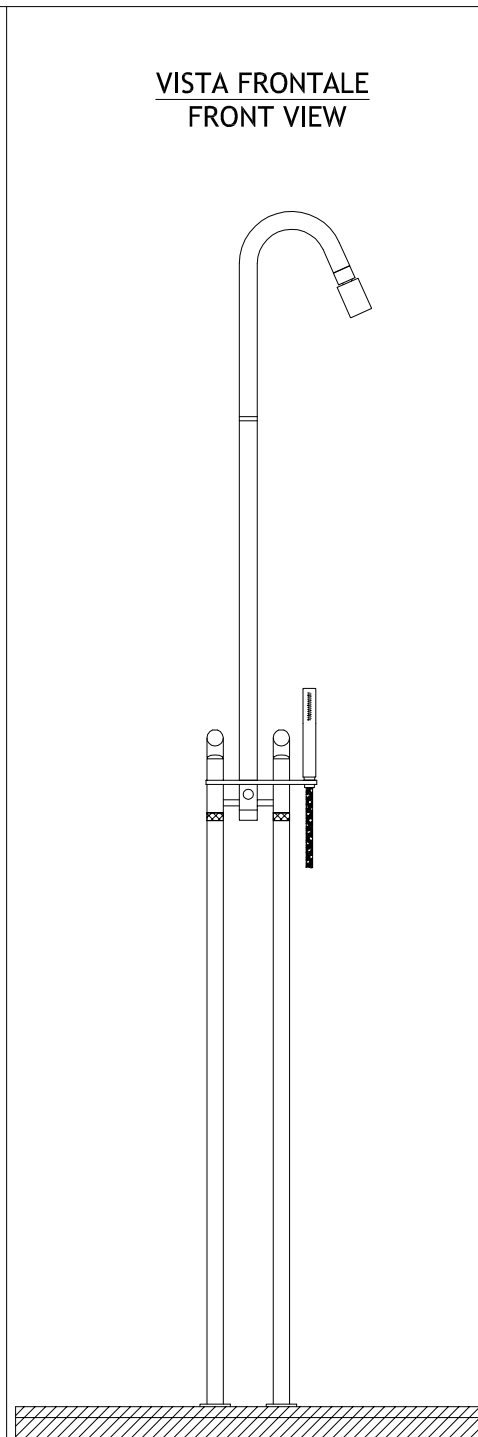


FIG. 8



VISTA FRONTALE
FRONT VIEW



ASSEMBLY INSTRUCTIONS - SHOWER COLUMN - CB406

1/2

Remove various parts from the carton with extreme care.

(FIG 1)

- Unscrew protection lids (A).

(FIG 2)

- Check that gaskets (C) are in position.
- Tighten nozzles (D) with hexagonal key N° 10.

(FIG 3)

- Check that nozzles (D) are tight.
- Push rings (F) onto columns (E).
- Screw columns (E) onto nozzles (D) and tighten.
- Push rings (F) into position at the base of columns (E).

ASSEMBLY OF CONTROL UNIT (FIG 4)

- Insert nozzles (G) into columns (E) taking care of not damaging O-ring gaskets.
- Fully tighten rings (H).

UPPER COLUMN ASSEMBLY

(FIG 5) (FIG 6) (FIG 6a)

- Screw flexible hose (I) into (I') and fully tighten.
- Insert flexible hose (I) through column (L).
- Screw column (L) onto (I') and fully tighten.
- Place bracket (M) on the top of column (L) as a reference position for fixing block (N) to the wall with boss and screw (O).
- Once block (N) is fixed to the wall place bracket (M) on column (L) and tighten with two grub screws (M'/M'').
- For fixing column to a glass slab follow instructions as per FIG 6a.

ASSEMBLY OF SHOWER HEAD CURVE

(FIG 7) (FIG 6)

- Unscrew and remove part (Q) from the end of flexible hose (I).
- Disassemble swivel head (R') from shower curve (P)
- Unscrew and remove part (R2).
- Insert shower curve (P) into upper column (L) without damaging the gaskets.
- Pull out flexible hose (I) from point (Q') and fully push curve (P) into column (L).
- Screw back into position part (Q) to flexible hose (I) and fully push into (Q1).
- Screw back into position part (R2) and swivel head (R1).

ASSEMBLY INSTRUCTIONS - SHOWER COLUMN - CB406

2/2

CONNECTION OF HAND SHOWER

(FIG 8)

- Screw knurled nut (S) to flexible hose (U) taking care that gasket (T) is in position.
- Place hand shower on console (S').

MAINTENANCE OF HAND SHOWER

(FIG 8a)

- Separate shower "A-A" by pulling with care.
- Unscrew shower head "B-B" from core "C-C".
- Remove lime or other impurities from the shower holes with appropriate cleaning products.